



Hercules System

Installation Instructions

Pro-Tip

- Protect sheets from sunlight. The film masking can be baked onto the sheet
- Cover the open flutes from rain, sprinklers, and dust.
- Protect sheets on site from damage and dents.

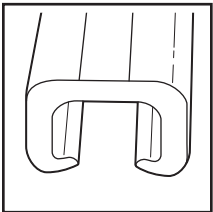


Scan Code
for Installation
Video

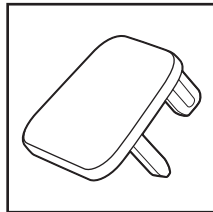
Exact measurements for width of sheets

** Aluminum U-profile adds 1/2"

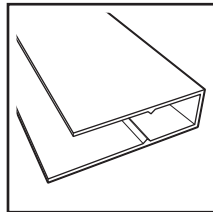
1 panel wide	1' 11-5/8"	8 panels wide	15' 9"	15 panels wide	29' 6-3/8"
2 panels wide	3' 11-1/4"	9 panels wide	17' 8-5/8"	16 panels wide	31' 6"
3 panels wide	5' 10-7/8"	10 panels wide	19' 8-1/4"	17 panels wide	33' 5-5/8"
4 panels wide	7' 10-1/2"	11 panels wide	21' 7-7/8"	18 panels wide	35' 5-1/4"
5 panels wide	9' 10-1/8"	12 panels wide	23' 7-1/2"	19 panels wide	37' 4-7/8"
6 panels wide	11' 9-3/4"	13 panels wide	25' 7-1/8"	20 panels wide	39' 4-1/2"
7 panels wide	13' 9-3/8"	14 panels wide	27' 6-3/4"		



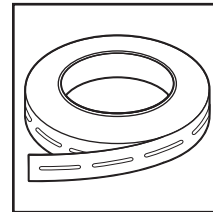
Sheet Connector



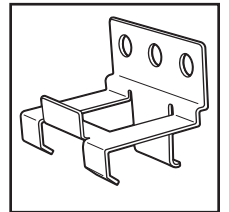
End Cap



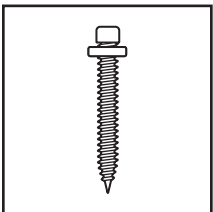
Edge U-Profile



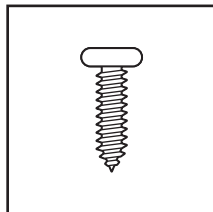
Vent Tape



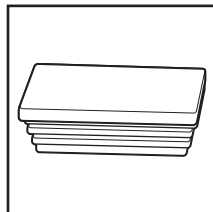
Metal Clip



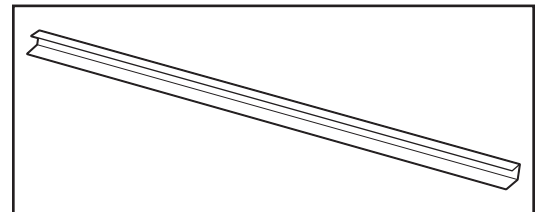
Edge Profile Screw
1 1/2" Wood Screw



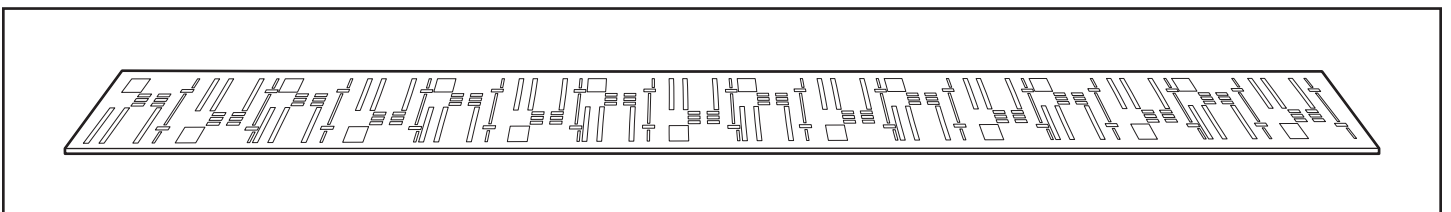
Screw for Metal Clip
1" Pancake Head



Corner Edge Plug



Flute Cover



Sheet

TOOLS NEEDED FOR INSTALLATION

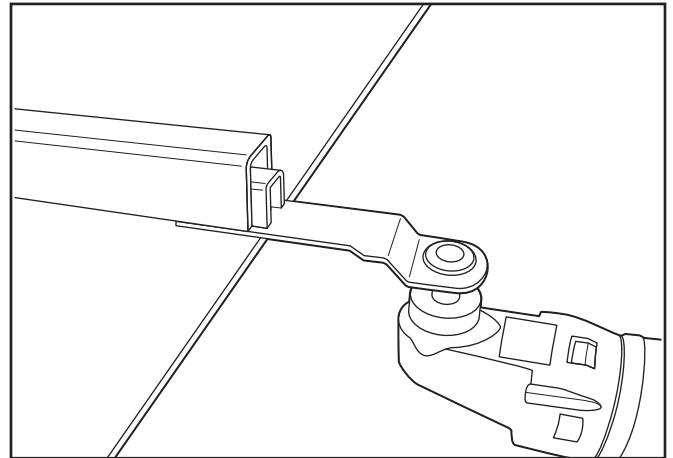
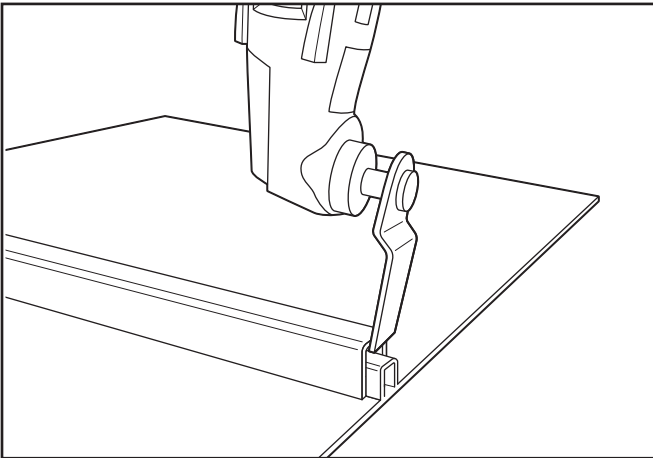
To cut the Length and Width of the sheets:

- CIRCULAR SAW -or- TABLE SAW -or- COMMERCIAL JIGSAW
- Carbide Bit Fine Tooth Panel Blade (8-12 teeth per inch)

Additional Tools Needed:

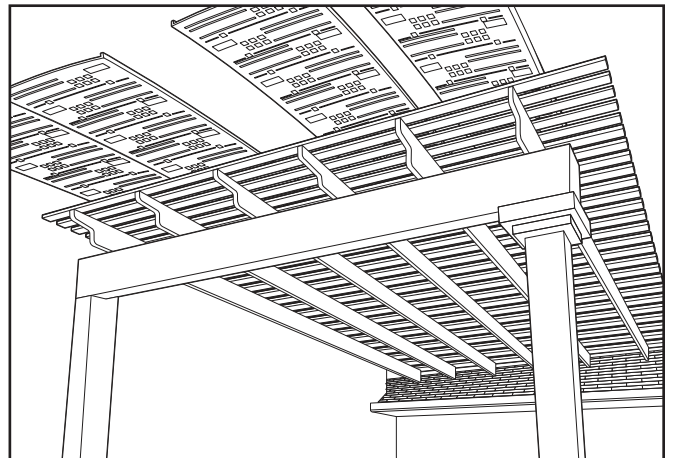
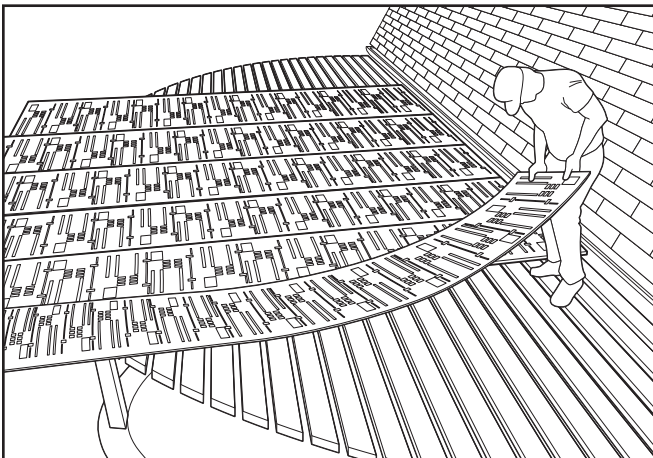
1. Electric Drill (3/16", 1/4", and 3/8" drill bits)
2. Rubber Mallet
3. Tape Measure
4. Plastic safe silicone: We recommend GE Silicone
5. *Oscillator Tool

*If needed, it is good to have an oscillator tool (or multi-tool). Sometimes connector caps aren't long enough to cover the space where seams of sheets meet. This allows you to cut sheets so end cap can be put on.



Pro-Tip

Wait until after the sheets are installed to cut to the correct length. This ensures an even edge even if your pergola is curved or not perfectly square.



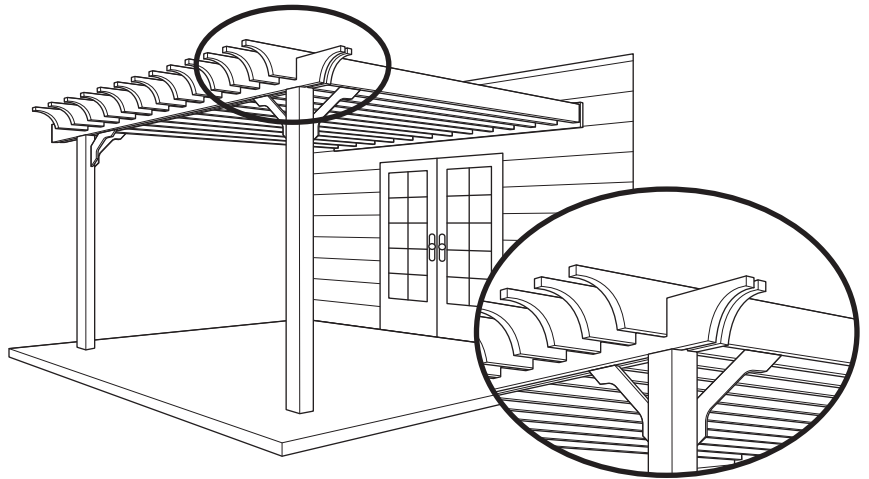
STRUCTURE REQUIREMENTS

We recommend at least 1" of slope for every 48" of structure length



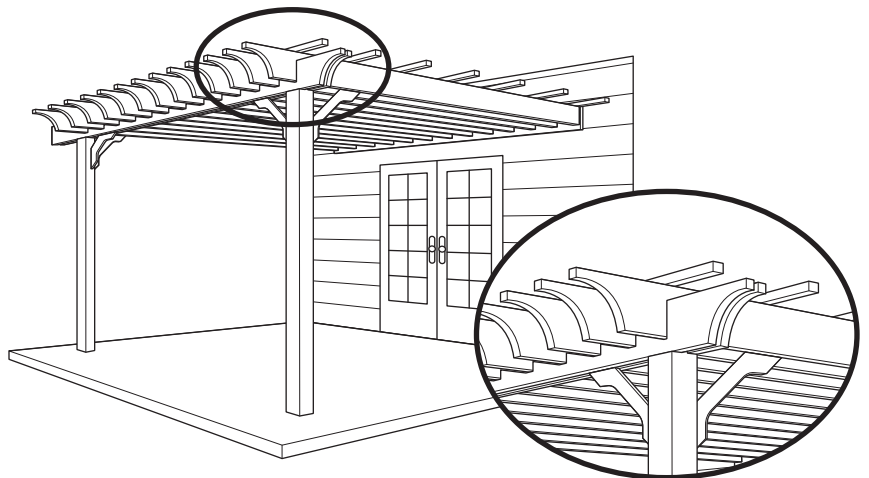
Joists (Rafters)

The width of the Hercules panels cannot be cut down, so if the joists are the incorrect distance apart, you will have to remove them and re-install at the exact sheet width.



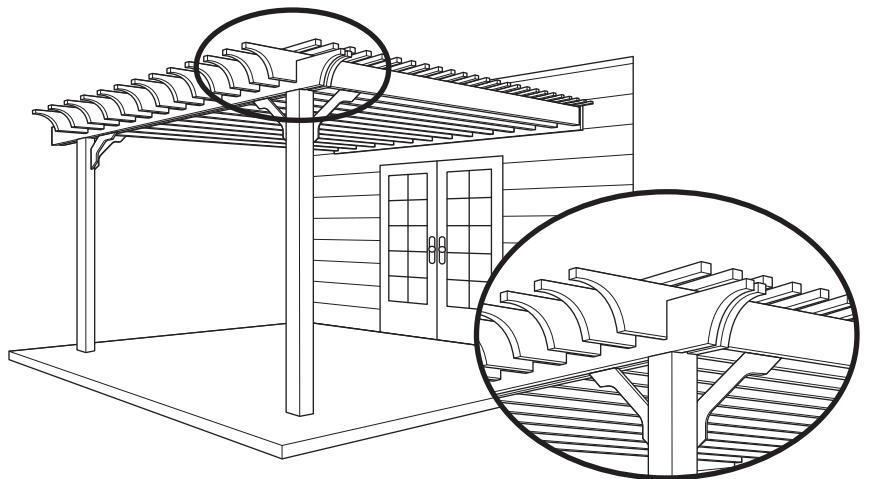
Stripping (Purlins)

Maximum distance between stripping is 36"



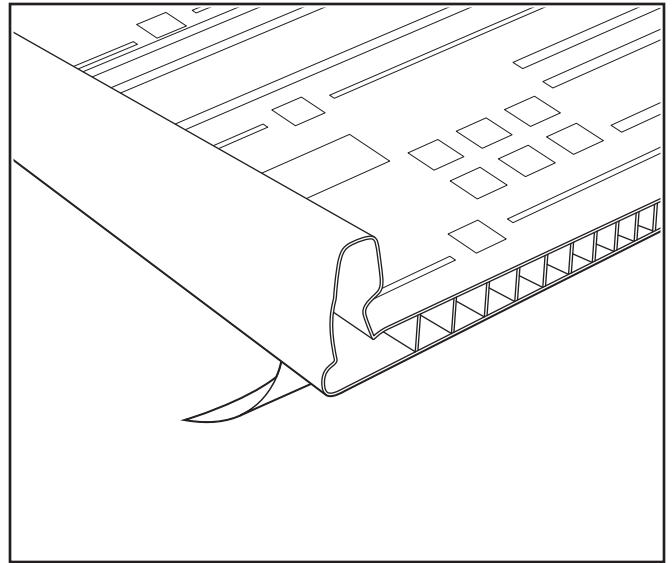
Shade Slats

Shade slats are usually 2-6" apart with a maximum distance of 16.

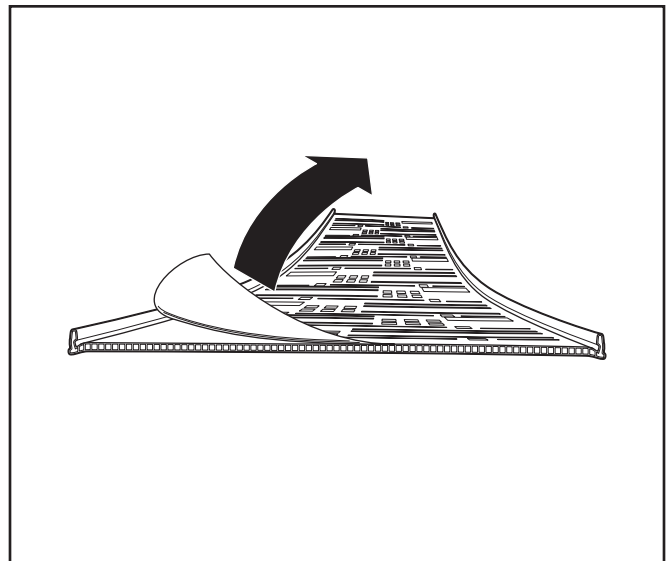


1. Remove the Protective Film from the Bottom Side of Sheet

Wait to remove the top film until after install.

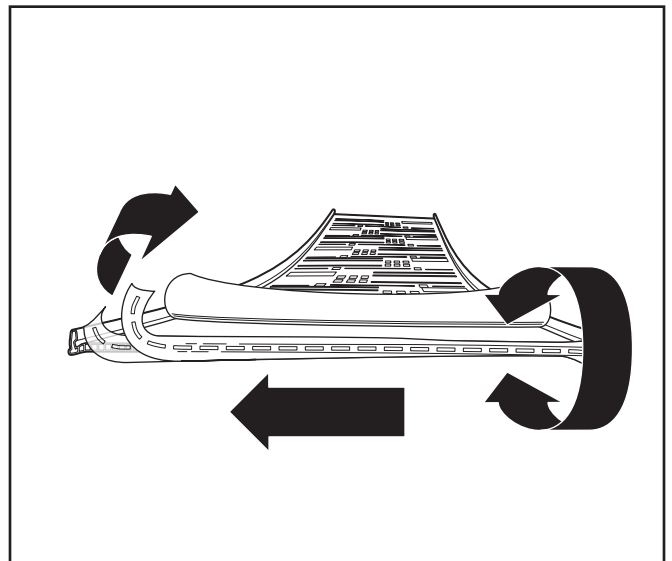


2. Peel back top film 2"



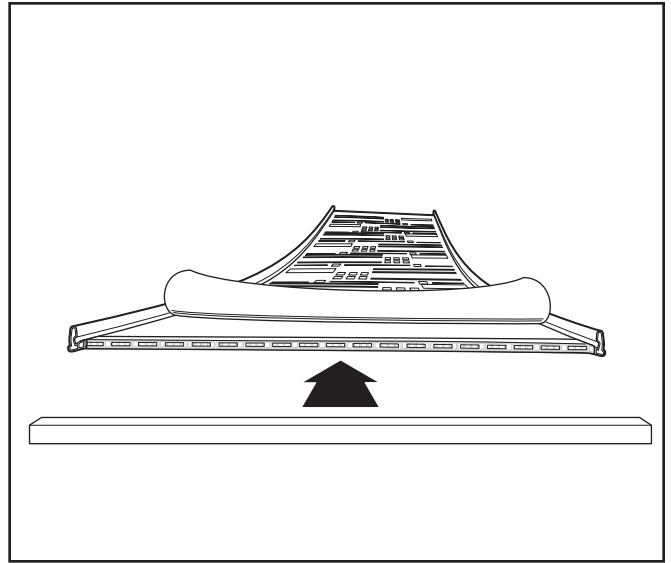
3. Apply Vent Tape Over the Flutes

Apply vent tape to the end of the sheet that will be at higher elevation. Center the white rectangular vents on the edge of the sheet, and then, smooth the edges of the tape on the top and bottom of the sheet. You will apply the tape to the other end after the sheet is installed and cut to size.



4. Prep the Sheets

Install flute covers over the vent tape.

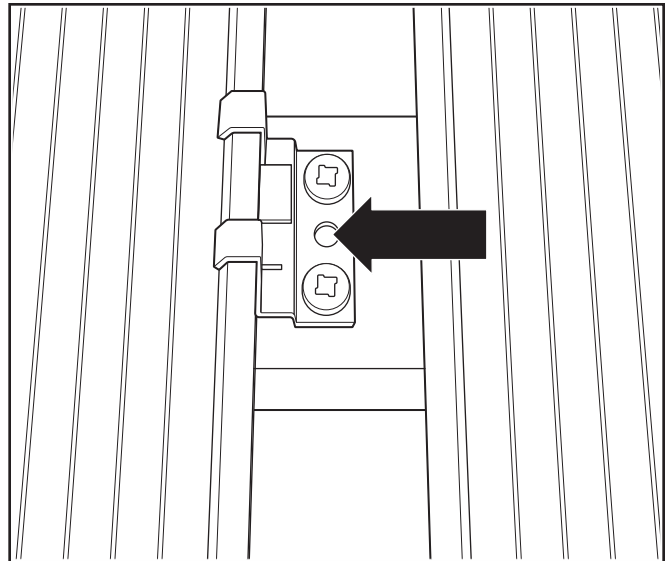


5. Install the First Panel

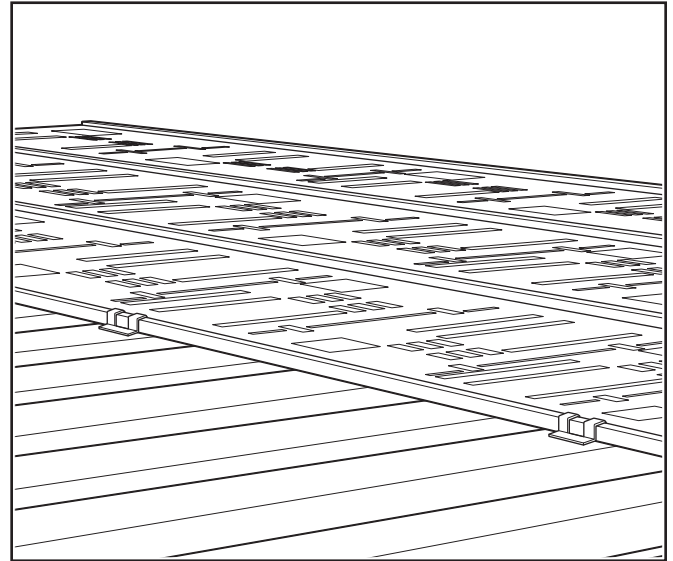
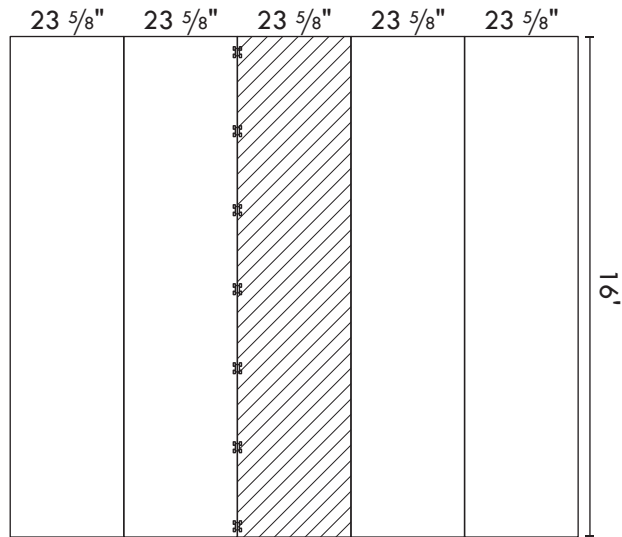
Install clips directly to the structure on stripping or shade slats using metal clip screws.

Pro-Tip

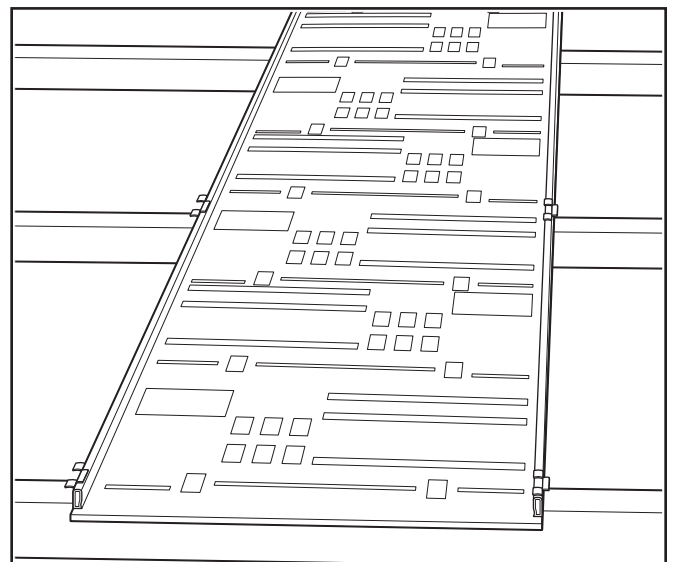
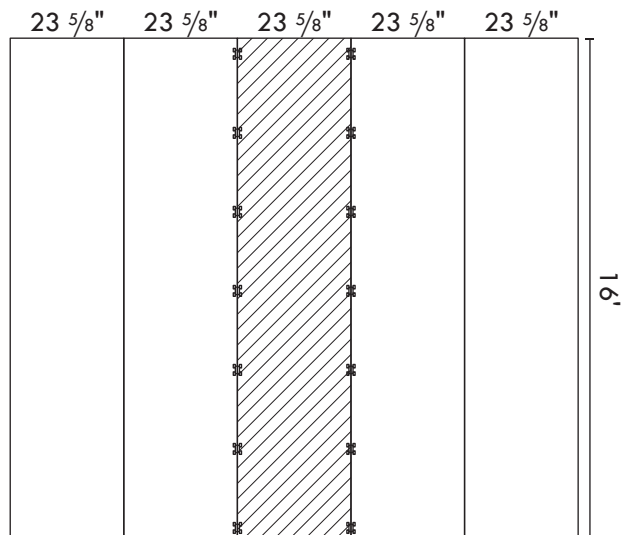
Remember! No screws will be installed through the Hercules sheets.



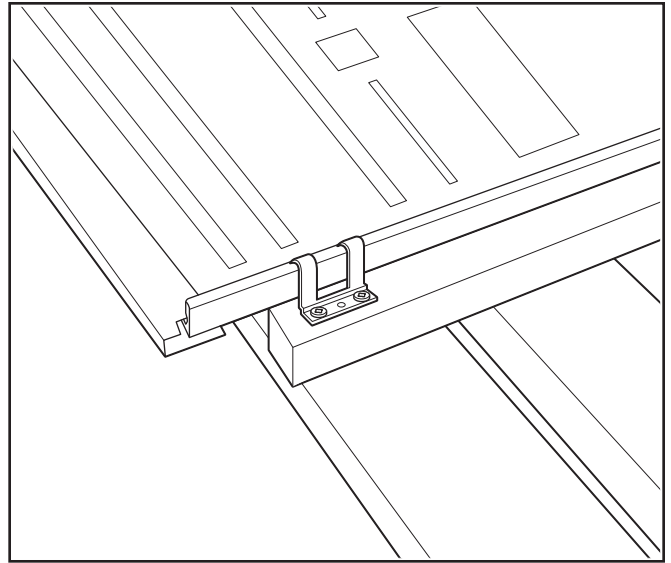
- A.** Position the first sheet in the middle of the structure. Place the flute cover/vent tape prepped end of the sheet at the highest elevation (top) of your structure. Install the sheet square, not at an angle.
- B.** Fasten the sheet to stripping or shade slats using metal clips spaced 36" apart or closer. (see right).



- C.** Clips will be attached to BOTH sides of the first sheet (see right).

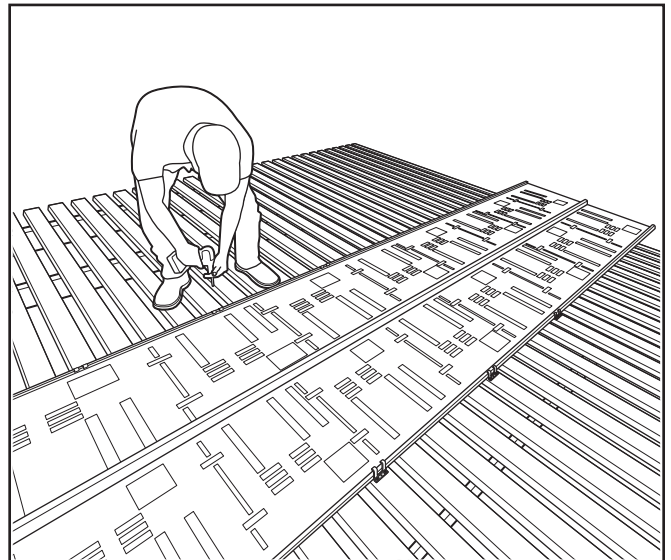
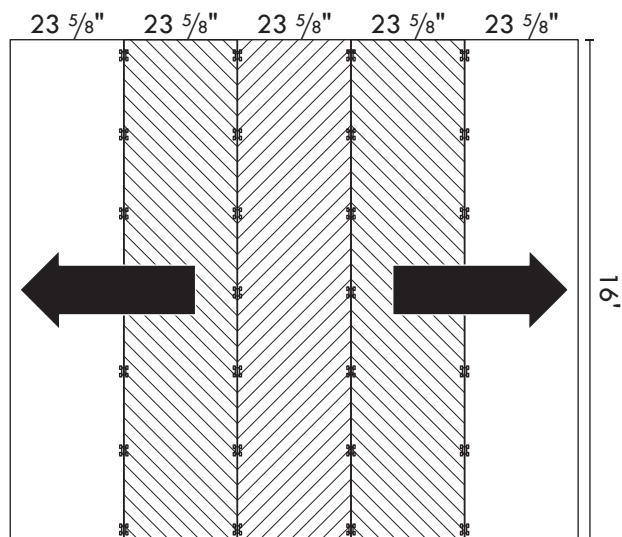


- D. To prevent uplift, install clips closest to the top and bottom edge of the sheet just behind flute covers.

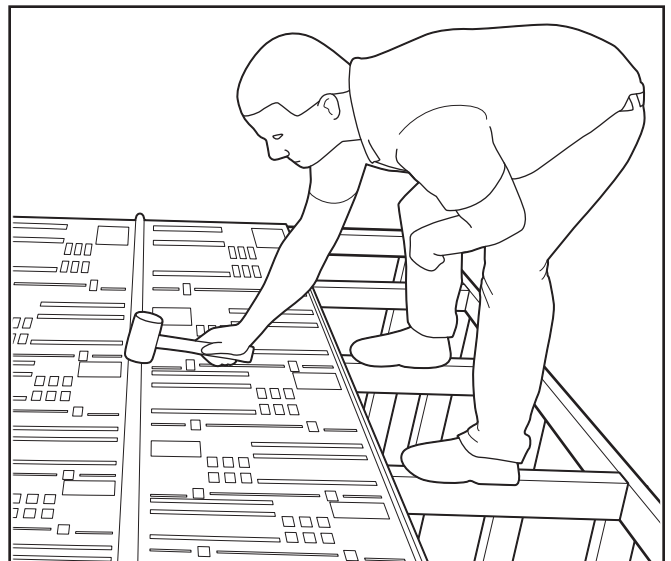


6. Place Next Sheet in Metal Clips

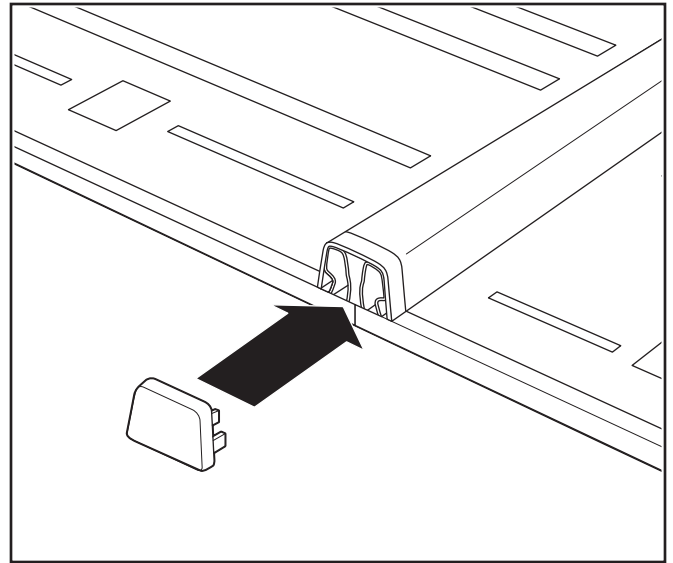
Continue installing sheets from the middle towards the outside (see below).



Install the connector caps as you attach each sheet. *Use a rubber mallet to tap down connector caps that fit snugly.*



7. Install the end caps to the side that is prepped with flute covers and vent tape.

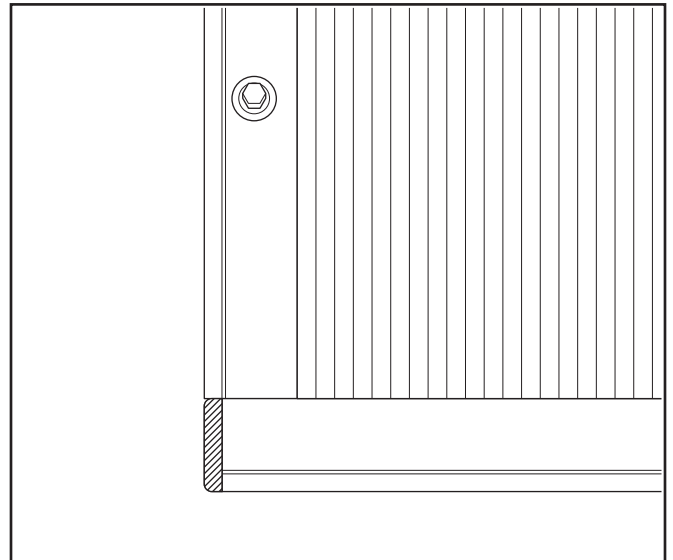


8. Install Outside Sheets

When trimming the sheets, note that the last two sheets and flute covers will need to account for the width of the edge profile so these sheets (with profile) fit flush to the edge of your structure.

When trimming the outside sheet, account for the $\frac{1}{2}$ " extra width of the edge profile by subtracting $\frac{1}{2}$ " from your total measurement. (In example, if you need a 20" sheet to bring the sheet flush with the edge of the structure, cut that sheet to 19-1/2" to account for the edge profile)

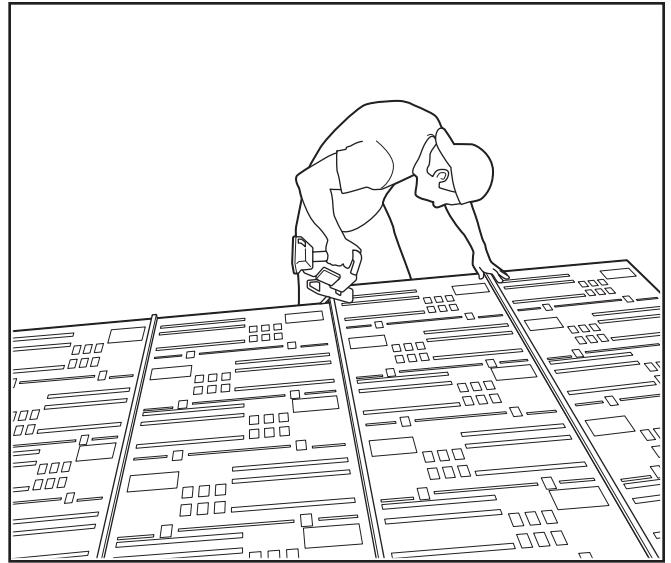
Reference the photo to the right. You will make the same calculation with your last flute cover.



9. Cut sheets and Connector Caps to the Correct Length

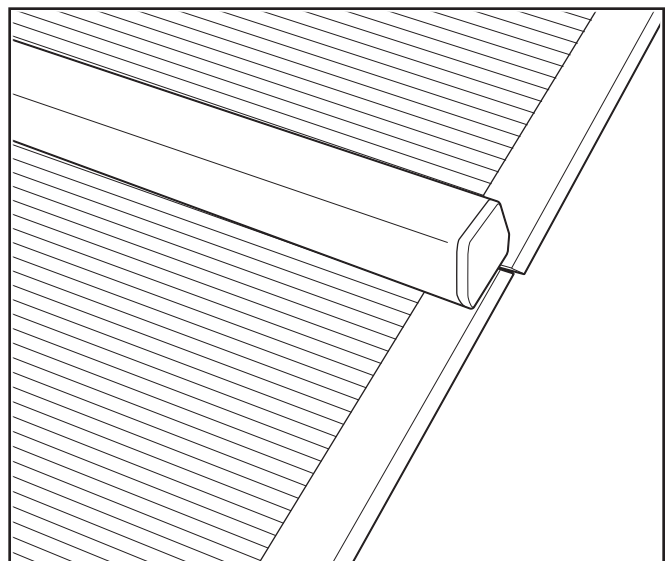
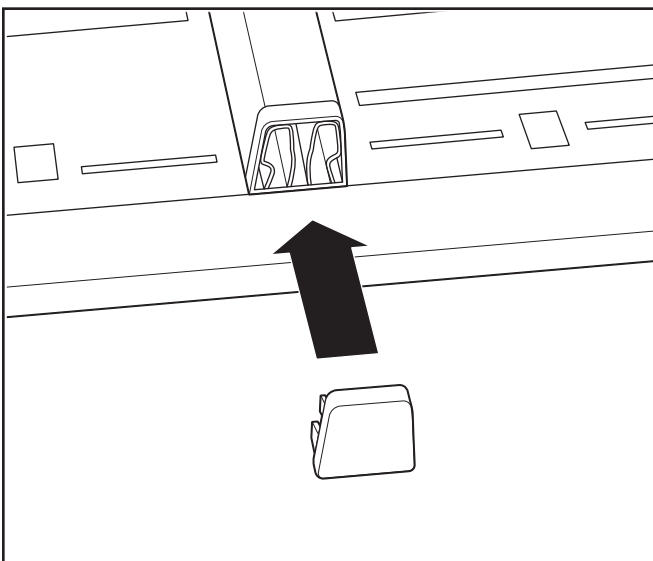
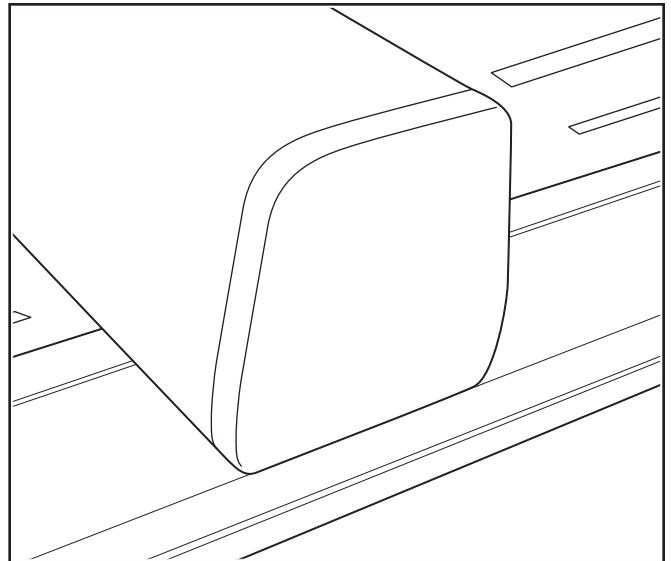
Wait until all the sheets and connector caps are installed to cut the material to desired length. Account for the sheet to extend 1" - 3" max past the edge on the side with the lowest elevation. This allows for adequate drainage.

The installers should be using a ladder and cutting from there.



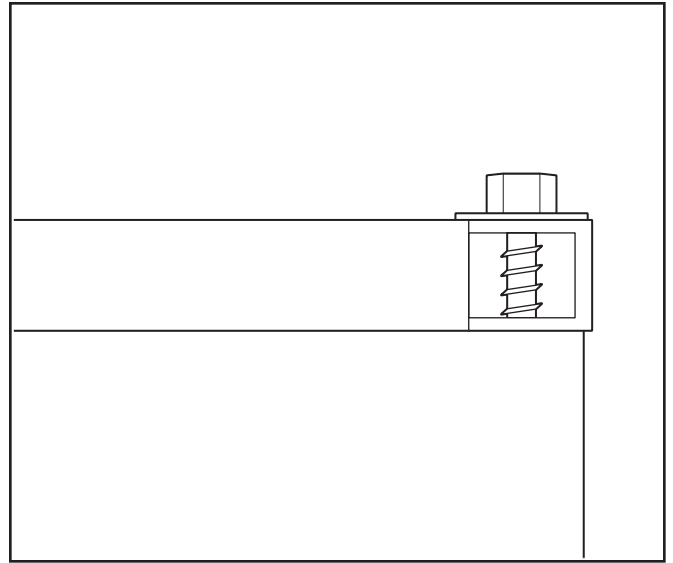
10. Install Accessories

- A. Attach vent tape to the cut end.
Refer to step 3 for picture reference.
- B. Attach flute cover over vent tape.
Refer to step 4 for picture reference.
- C. Snap end caps to the cut sheet connectors.



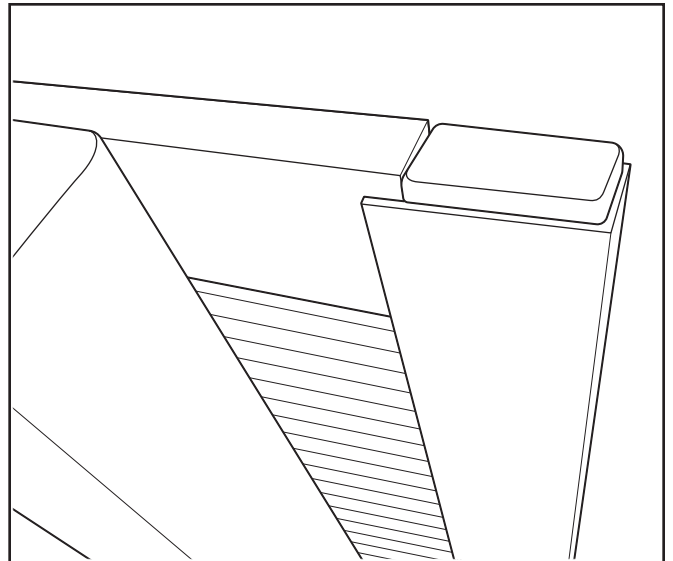
11. Install Edge Profile

Install edge profile screws through u-profile gap every 36" (or just in line with your clips to make it an easy reference). REMEMBER! You will not install screws through the sheet.

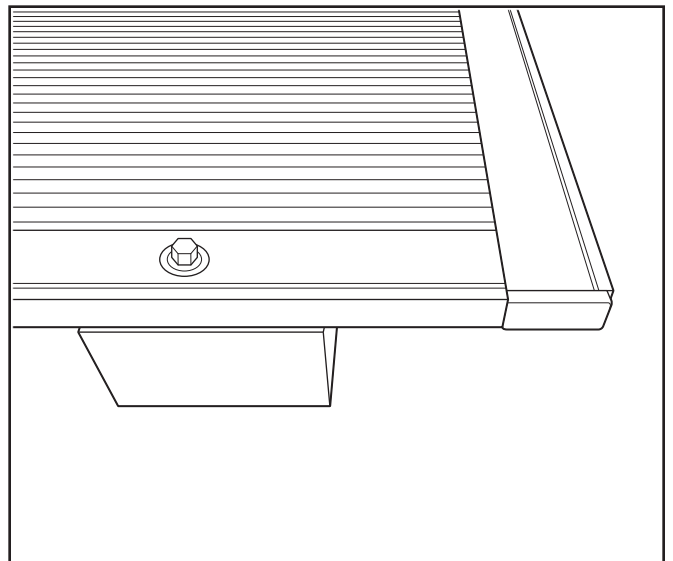


12. Finish Corners

A. Place edge u-profile over the sheet edge between the top and bottom flute covers.

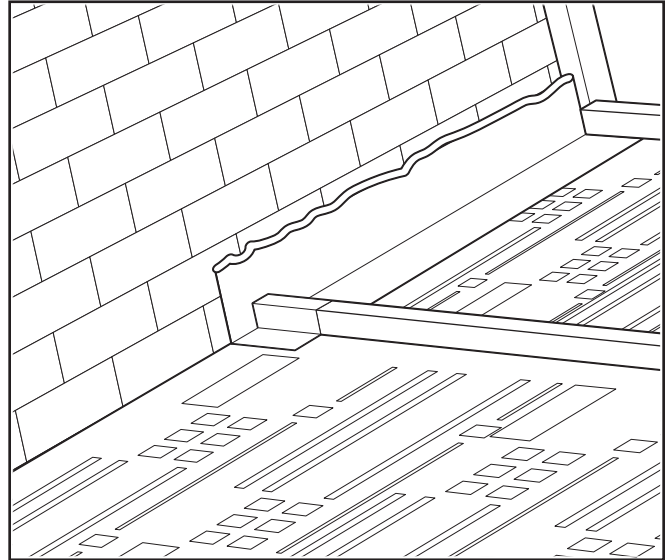


B. Insert corner cap plug into flute covers to finish off corners



13. ** If installing the Hercules System up to a vertical wall:

Install metal flashing where the panels meet the wall. Adhere the flashing firmly to your vertical wall with screws and add a silicone bead along the flashing where it meets the wall to make a watertight seal. If you have a stucco wall, you cannot screw into it and will need to strictly use silicone or Gorilla Tape to adhere the flashing to the wall. Allow the flashing to lay across the Hercules panels. Press it against the Hercules panels to better fit it over the standing seam connectors. Do not screw the flashing to the Hercules panels. Do not put silicone directly on the Hercules panels. You CAN apply silicone to where the flute covers and the wall meet to fill any gaps, but it must not touch the polycarbonate sheets themselves."

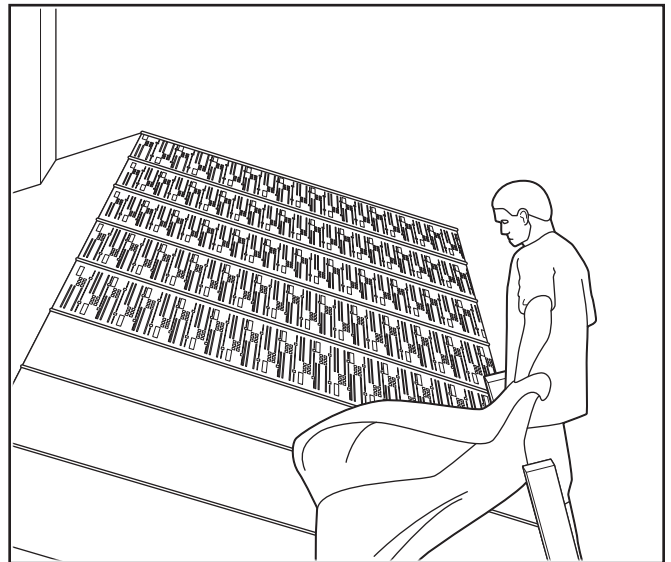


STOP

Before moving to the last step, make sure you are completely done with the install. If you are installing next to a wall, make sure the flashing and silicone are in place.

14. Remove Logo Film off Panels

Do not let the sun bake the film onto the sheet.



Dallas 972.354.3191
2356 Merrell Rd.
Dallas, TX 75229

Houston 713.957.8541
1700 Wirt Rd.
Houston, TX 77055

Austin 512.836.3629
9311 Metric Blvd.
Austin, TX 78758

San Antonio 210.599.8291
4041 Rittiman Rd.
San Antonio, TX 78218

Oklahoma City 405.506.0112
7424 Melrose Ln.
Oklahoma City, OK 73127

Miami 786.697.3424
1418 NW 82 Ave.
Doral, FL 33126